



SX1 HIGH TEMPERATURE QUARTZ CRYSTAL

30 kHz to 250 MHz

High Temperature (up to 260°C)

DESCRIPTION

Statek's SX crystals are designed to achieve operation at temperatures up to and including 260°C. Each crystal is pre-qualified before assembly in TO-39 package through electrical tests and characterization over temperature.

FEATURES

- High temperature operation up to 260°C
- Double hermetic seal for ultimate reliability
- Excellent stability over wide temperature ranges

APPLICATIONS

- Downhole instrumentation
- Rotary shaft sensor
- Underground boring tools
- MWD (measurement while drilling)
- Avionics applications
- Engine Control

SPECIFICATIONS

Specifications are typical at 25°C unless otherwise noted. Specifications are subject to change without notice.

Frequency Range	30 kHz to 250 MHz
Calibration Tolerance required	± 20 ppm or tighter as required
Operating Temperature Range	-55°C up to +260°C
Aging, first year	5 ppm at 25°C
Shock, survival ¹	5,000 g, 0.3 ms, 1/2 sine
Vibration, survival ²	20 g, 10-2,000 Hz swept sine

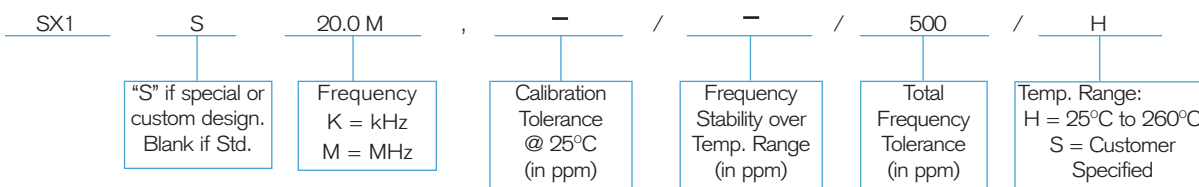
1. Higher shock version available.

2. Per MIL-STD-202G, Method 204D, Condition D. Random vibration testing also available.

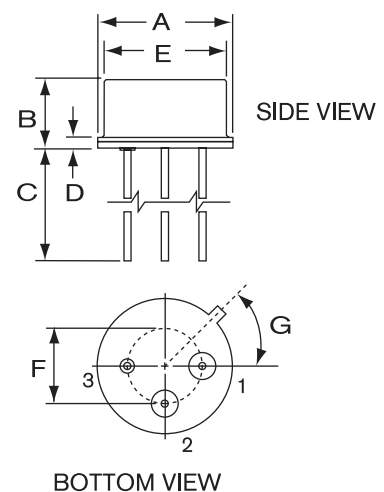
PACKAGING

SX1 - Tray Pack (Standard)

HOW TO ORDER SX1 CRYSTALS



PACKAGE DIMENSIONS



DIM	inches	mm
A	0.380 MAX	9.65 MAX
B	0.185 MAX	4.70 MAX
C	0.500 MIN	12.70 MIN
D	0.029	0.74
E	0.326 MAX	8.28 MAX
F	0.200 REF	5.08 REF
G	45°	45°

Note:

1. All metal parts gold plated
2. Leads are 0.019 in. [0.48 mm] MAX.

10194 Rev A

